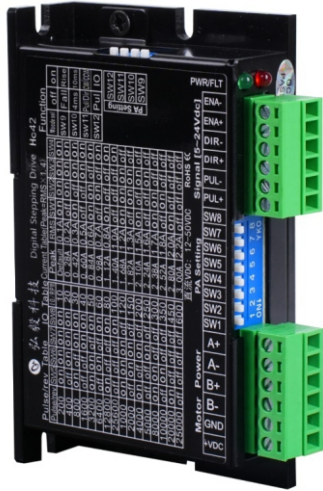


开环步进电机驱动器

Open loop stepper motor driver

Hc42

两相开环步进电机驱动器
Two-phase open-loop stepper motor driver

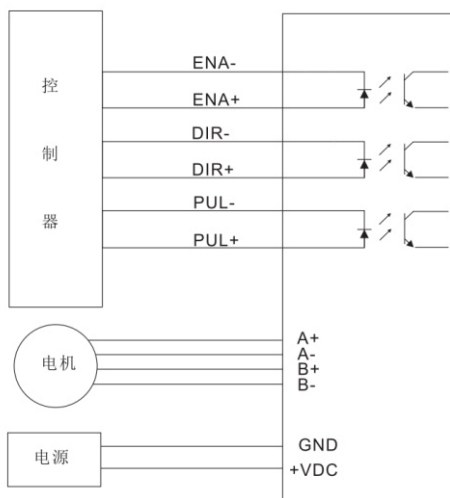


电气参数 Electrical parameter

参数 Parameters	最小值 Minimum value	典型值 Typical value	最大值 Maximum value	单位 Unit
连续输出电流 Output	0.1	-	3.0	A
输入电源电压（直流） Supply Voltage	12	24	32	VDC
逻辑输入电流 Logic input current	6	10	16	MA
逻辑输入电压 Logic input voltage	5	5	24	VDC
脉冲频率 Pulse frequency	0	-	200	KHZ
脉冲高电平宽度 High level pulse width	1.5	-	-	US
绝缘电阻 Insulation resistance	100	-	-	MΩ

产品接线图 Product wiring diagram

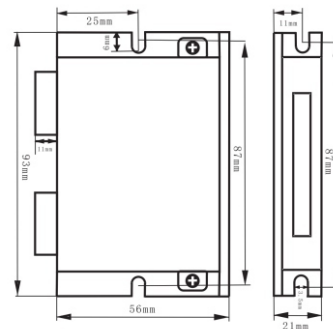
5-24vdc无需串联限流电阻



产品特点 Product characteristics

- 静止时电流自动减半
- 全新32位DSP数字技术
- 电流设定范围为0.1-3.0A
- 信号接口电平5-24V兼容
- 细分设定范围为200-51200
- 上电自动匹配电机参数功能
- 可驱动4, 6, 8线两相步进电机
- 具有过压、欠压、过流等保护功能
- 内置微步细分技术, 细分中还有细分
- 脉冲, 方向, 使能信号光隔离差分输入
- 供电电压直流12-32Vdc, 推荐直流24Vdc
- 变频和变电流技术, 发热小, 振动小, 噪音低
- 匹配电机20, 28, 35, 39, 42, 57基座系列步进电机
- 脉冲响应频率最高可达500KHz (出厂默认200KHz)

机械安装图 Mechanical drawing



※设计安装尺寸时, 注意考虑端子大小及布线
※Pay attention to considering and wiring terminal size

工作电流设定 Working current setting

Peak	RMS	SW1	SW2	SW3	SW4
Default [0.1]		on	on	on	on
0.28A	0.2A	off	on	on	on
0.42A	0.3A	on	off	on	on
0.60A	0.5A	off	off	on	on
0.84A	0.6A	on	on	off	on
0.98A	0.7A	off	on	off	on
1.12A	0.8A	on	off	off	on
1.40A	1.0A	off	off	off	on
1.68A	1.2A	on	on	on	off
1.82A	1.3A	off	on	on	off
2.10A	1.5A	on	off	on	off
2.24A	1.6A	off	off	on	off
2.38A	1.7A	on	on	off	off
2.52A	1.8A	off	on	off	off
2.80A	2.0A	on	off	off	off
3.00A	2.2A	off	off	off	off

电机细分设置 Motor subdivision setting

Pulse/rew	SW5	SW6	SW7	SW8
Default [200]	on	on	on	on
400	off	on	on	on
800	on	off	on	on
1600	off	off	on	on
3600	off	on	off	on
6400	on	off	off	on
12800	off	off	off	on
1000	on	on	on	off
2000	off	on	on	off
4000	on	off	on	off
5000	off	off	on	off
7200	on	on	off	off
8000	off	on	off	off
10000	on	off	off	off
20000	off	off	off	off